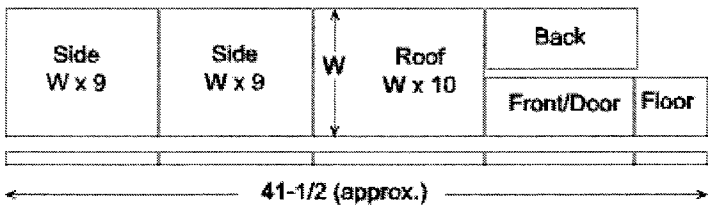


# The Gilwood Nest Box

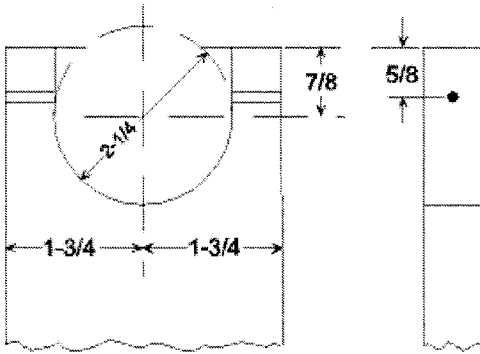
by Steve Gilbertson



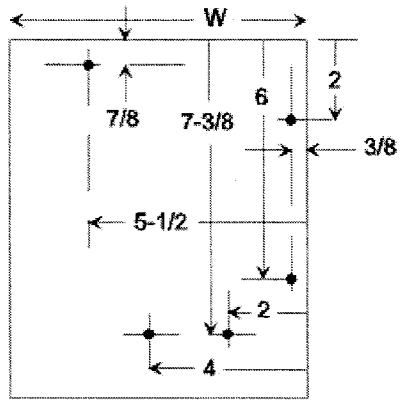
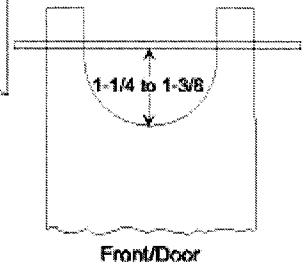
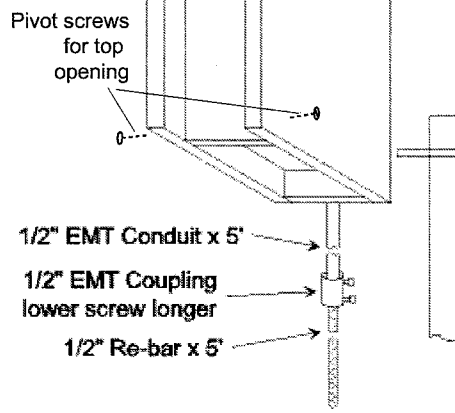
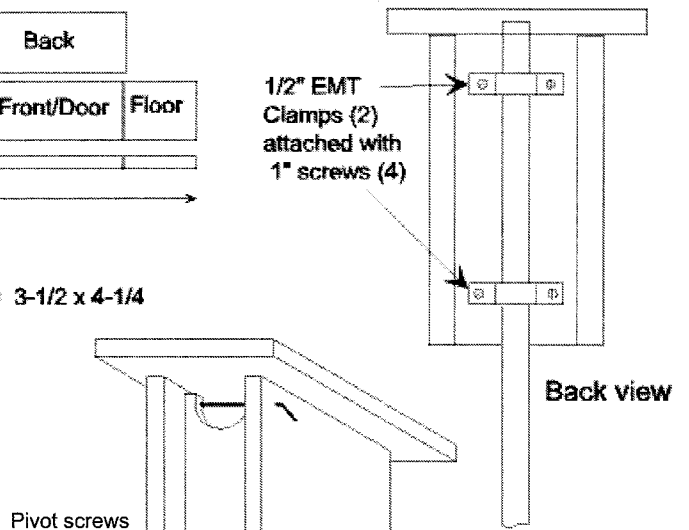
W = 7-1/4 to 7-1/2  
 Front = 3-1/2 x 8-3/4, Back = 3-1/2 x 9, Floor = 3-1/2 x 4-1/4

Stock needed: Nominal 1 x 8, 42" long  
 Note that Nominal 1 x 8 = 3/4 x 7-1/4 to 7-1/2

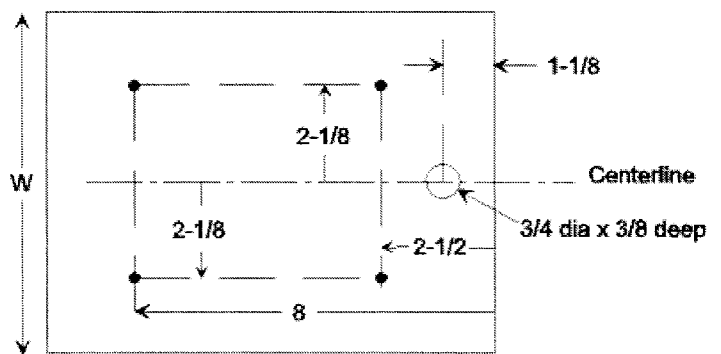
All holes are 1/8 except when shown otherwise



Front/Door

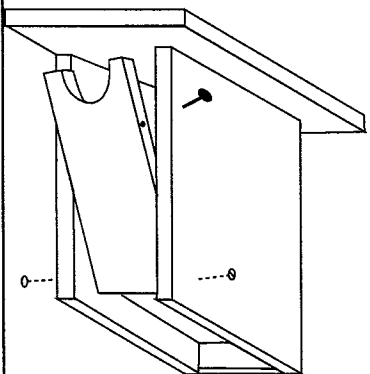


Sides (2)



Invented by Steve Gilbertson  
 Drawn by Fawzi Emad

Rev. 6/9/06



See page 22 to order a completed box.

